

**T**hank you for using Cayin A-300B integrated/power vacuum tube amplifier. Please read this operation manual carefully before using it.

---

## I GENERAL INSTRUCTION

---

- Two 300Bs are used for class A S.E amplification.
- The toroid power transformer and EI audio transformer are specially manufactured for CAYIN A-300B by applying our unique workmanship, which has low magnetic leakage, wide frequency response and low impedance.
- Two 6SL7s and two 6SN7s are used in the preamplifier.
- Two Sovtek 5AR4s is used for rectification.
- All-vacuum tube design, all hand-made.
- Remote control

---

## II SPECIFICATIONS

---

■ Power Output	2×8W(8Ω,RMS)
■ Frequency response	15Hz~30kHz
■ THD	2% at 1kHz
■ S/N ratio	83dB
■ Input sensitivity	280mV 600mV (Pre-in)
■ Input impedance	100kΩ
■ Output impedance	4Ω,8Ω,16Ω
■ Power requirement	AC 120V±5%, 50~60Hz
■ Weight	25 kg
■ Dimension	420×200×380mm (W×H×D)
■ Power consumption	280W

---

## III OPENING THE PACKAGE

---

Please check the carton carefully whether there are any damages before you open it. Put it on a flat surface with the arrow upward. Rip away the sealed tape and open the carton, then you'll find:

- ① An amplifier of CAYIN A-300B,
- ② An operation manual,
- ③ A warranty card,
- ④ A power supply cord,
- ⑤ Two fuses,
- ⑥ One remote control unit.

**Note:** Please fill out your warranty card in time, and hand it in to your dealer or send it to the sales department of our company to ensure the after-sales service.

**Note:** Be sure to use at rated voltage. Please check whether the rated voltage marking on the back plate corresponds to your line voltage. If not, please contact your dealer.

**Suggestion:** Please keep the carton and the other wrappings well, perhaps you'll use them when move the amplifier.

---

## IV CONNECTION

---

Select the suitable output impedance for your speaker and connect the amplifier to the speaker with sound specialized line, don't confuse L with R.

Connect the amplifier to your sound source, don't confuse L with R. Select the suitable input way for sound source.

Then connect the power cord. At first insert the cord plug into the power socket, and next, insert the other end of the cord into an electrical outlet.

**Warning:** The receptacle which the amplifier power cord is connected to must be the 3-pin grounding type.

---

## V TURNING ON

---

**Note:** Be sure to adjust the volume ⑤ to the lowest position before turning on the amplifier.

When you're sure the connections are right, turn it on by pressing the power button ①, then the power indication lamp and mute indication lamp will light up, indicating the amplifier is working. After preheating for about 30 sections, mute indication lamp will extinguish, indicating the amplifier working normally. Then you'll enjoy the music by adjusting the "Volume" while your sound source is working.

If you use the amplifier as power amplifier, you can adjust the "volume" of preamplifier.

**Caution:** To prevent damage to the amplifier, never cut off the speaker cable while the unit is on.

---

## VI WARNING

---

- Be careful when carrying in order to avoid damaging the vacuum tubes and the other components.
- To reduce the risk of electric shock, don't remove the cover.
- Don't attempt to repair the product by yourself.
- No user serviceable parts inside. Refer servicing to qualified service personal.
- Keep liquid away from the amplifier. If you spill liquid into the unit, pull out the power plug at once and consult your dealer.

## VII DIFFICULTIES

Basic troubleshooting of an amplifier is similar to troubleshooting of any other electrical or electronic equipment. Always check the most obvious possible causes first. To give you a few ideas of what to look for, check the following.

Problem	Cause	Remedy
No power when POWER is pressed.	(1) Mains plug not inserted correctly. (2) The fuse is broken.	(1) Plug in securely. (2) Replace the fuse with a new one of the same type .
The location of music is not fine.	L and R of input or output are mistaken or positive and negative of speaker terminal is mistaken.	Reconnect it.
No sound	Volume control is set to minimum  Source Selector set to wrong  Speakers are not connected  Wrong input is selected	Turn up the volume  Check Selector  Check speaker cables  Check input selection
The noise is overloud.	Not fine signal shielded cable.  The signal cable, power supply cord and the video frequency cable are placed too close or get tangled up.  Components or circuits are in trouble.	Replace the signal cable with a good one  Put the connections in good order. Keep the signal cable away from the others.  Contact your dealer

## VIII WARRANTY SERVICE

- ▲ 90 day gaurantee for the tube.3 year gaurantee part and labor. (shipping not include).
- ▲ To obtain warranty service, the warranty card bearing your dealer's chop or signature must be return to your dealer or our company within ten days from the date of purchase.
- ▲ The defective product must be returned to your dealer or our company for repairing when your dealer or our company accepts your requirement.
- ▲ The warranty doesn't extend to any product that has been opened by you without permission of our company.

## NOTICE

The information in this manual is subject to change without notice.

## X DIAGRAM

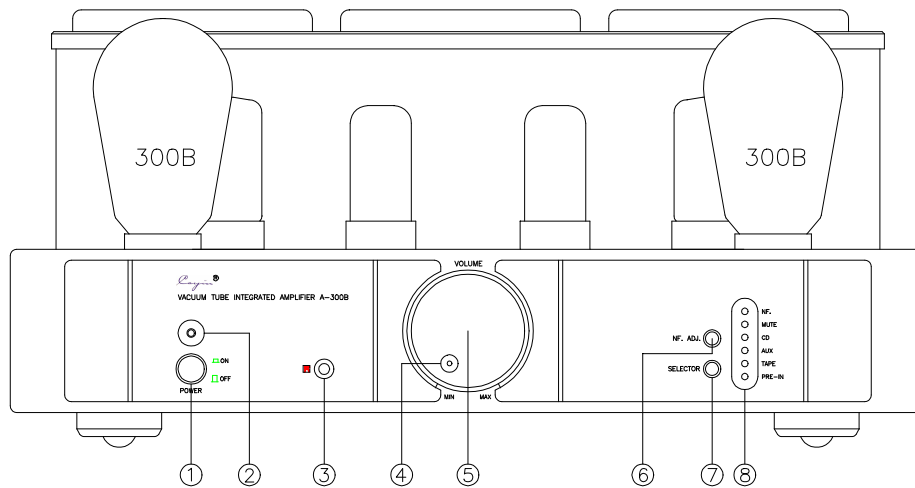


Diagram 1. A-300B front panel

- |                     |                      |
|---------------------|----------------------|
| ① Power switch      | ⑤ Volume             |
| ② Power indicator   | ⑥ N.F. ADJ.          |
| ③ Remote sensor     | ⑦ Input selector     |
| ④ Working indicator | ⑧ Working indicators |

**Note: 1. N.F. ADJ. indicator: yellow is low feedback, red is high feedback.**

**2. The amplifier has no signal when mute indicator lights up.**

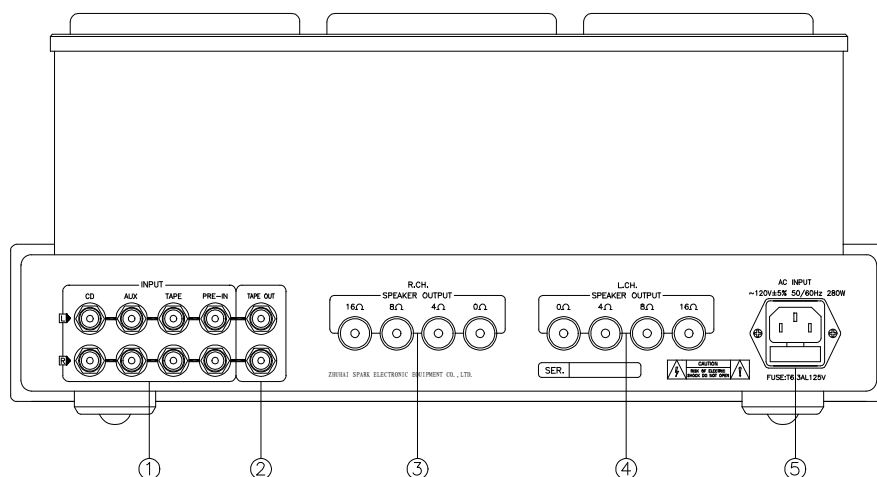


Diagram 2. A-300B back plate

- |                                      |                                      |
|--------------------------------------|--------------------------------------|
| ① Signal input jack                  | ④ L channel output (4 Ω ,8 Ω ,16 Ω ) |
| ② Tape out                           | ⑤ Power and fuse socket              |
| ③ R channel output (4 Ω ,8 Ω ,16 Ω ) |                                      |

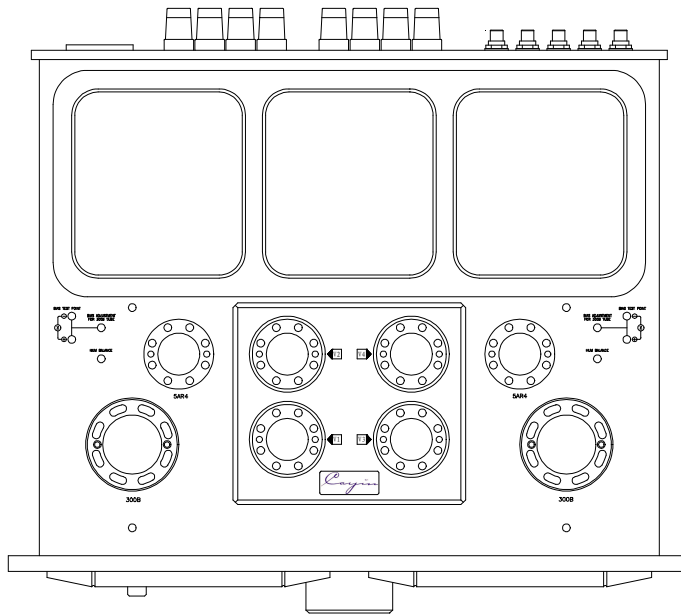


Diagram 3. Vacuum Tube Installing

- V1,V3: 6SL7
- V2,V4: 6SN7
- V5,V6: 5AR4
- V7,V8: 300B

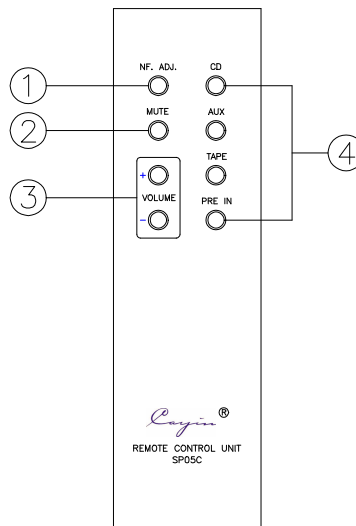


Diagram 4. Remote control unit

- ① N.F. ADJ. selector
- ② Mute
- ③ Volume
- ④ Input selector

---

## **XIADJUSTING BIAS AND HUM BALANCER**

---

### ***(I) BIAS ADJUSTMENT***

Be sure to adjust the volume to the lowest position before turning on the amplifier. When you're sure the connections are right, turn it on by turning the power button, then the indication lamp will light up, then wait for about 3 minutes. Connect the test lead of DC. V meter (or multi-meter) to the terminal of the BIAS TEST POINT. Adjust the Bias Pot to measure the DC. Voltage around 0.7V (that means the static current is around 70mA).

### ***(II) HUM BALANCER ADJUSTMENT***

Be sure to pull out signal input wire. When you're sure the connections are right, turn it on by turning the power button, then the indication lamp will light up, then wait for about 10 minutes. Connect the test lead of OSC Scope, VTVM or a Stereo Headphone to the output terminal. Adjust the Hum Balancer Pot to measure the Hum noise to minimum level. Repeat the adjustment on the both 300B Hum Balance Pots.

**\*Note:**

1. While adjustment proceeding don't input any signal to this amplifier.
2. After adjustment, please wait for about 10-20 minutes and re-check again as the same level.
3. Forbid adjusting bias over 0.8V.