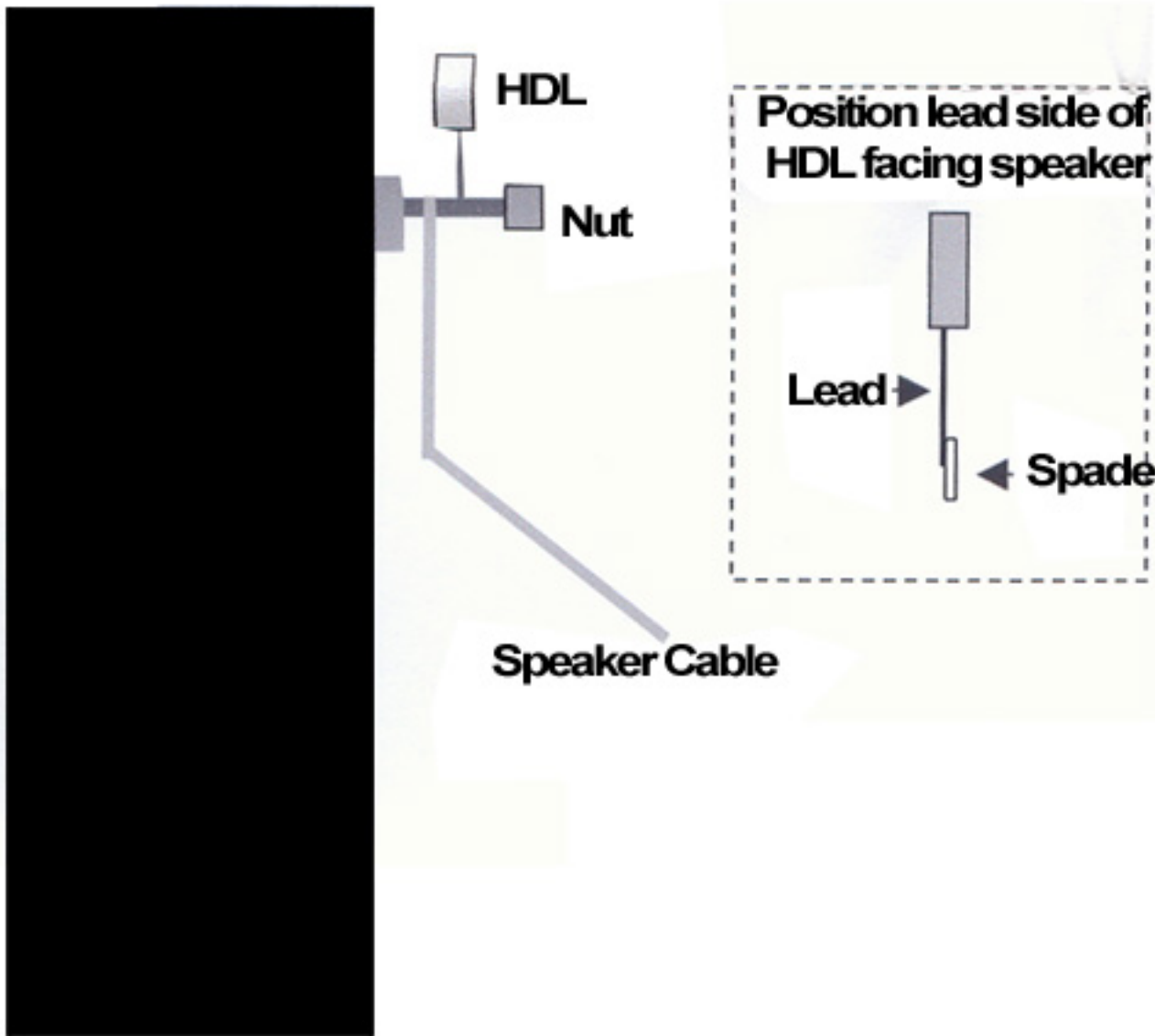
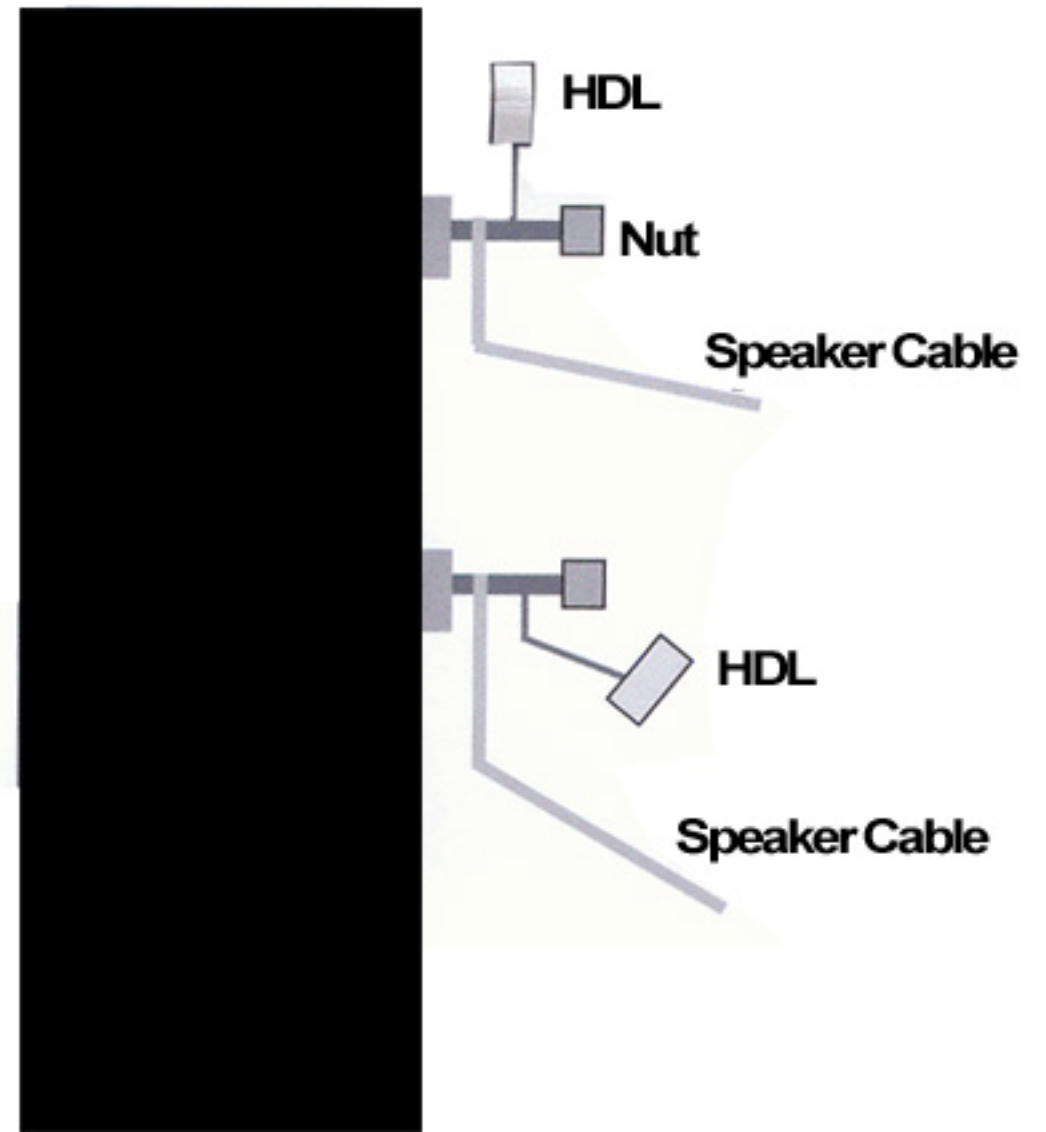


# HDL INSTALLATION

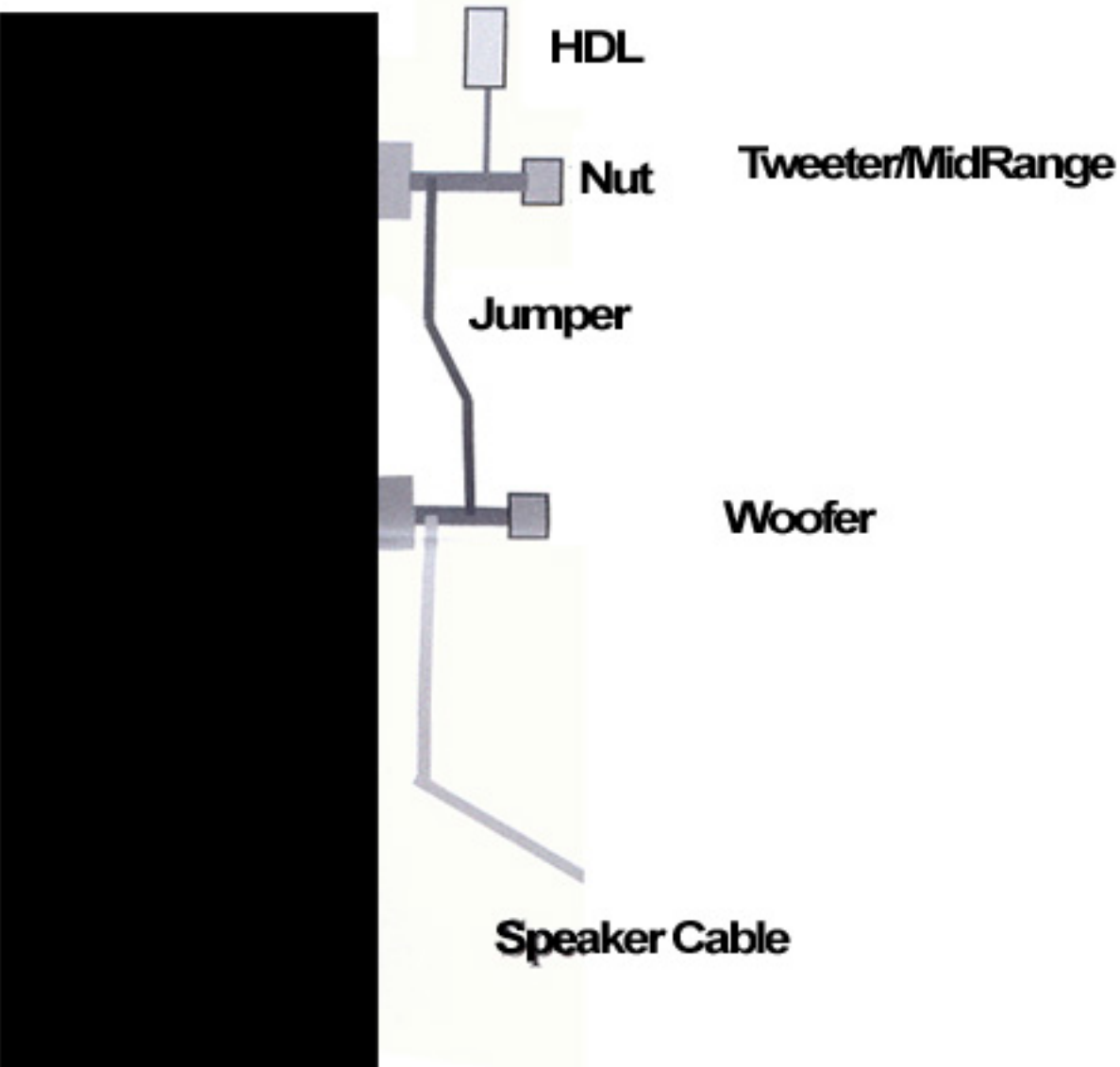
## Single Speaker Cable



## Bi-Wired Speaker with two sets of HDLs



## Bi-Wireable Speakers using Jumpers



## Bi-Wireable Speakers/Jumper /HDLs w.banana Plugs

